

Drop leg · FA 027

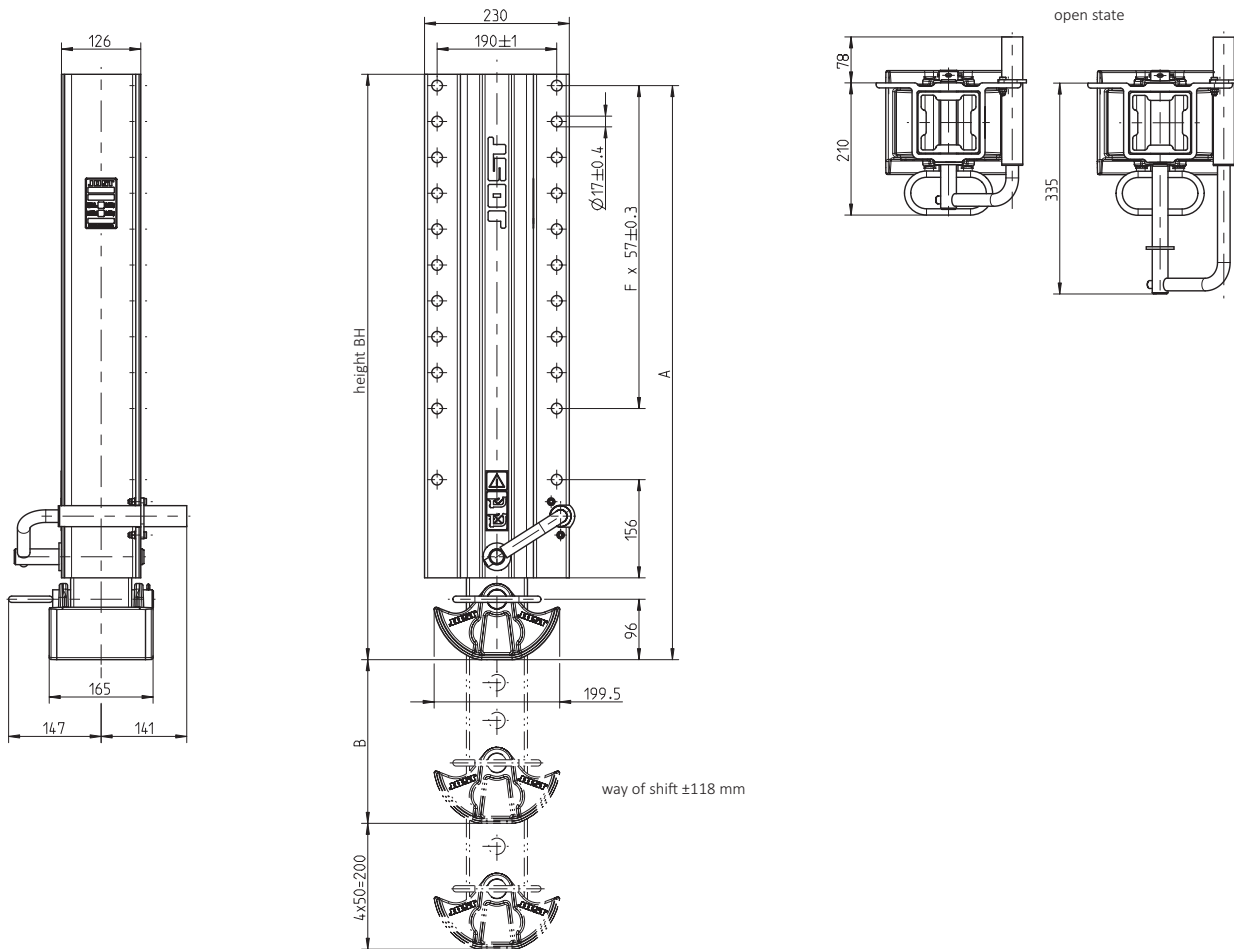
Advantages at a glance

- For all applications that put a strong emphasis on a low weight, and where uncoupling is rarely needed
- Weight-optimised aluminium design
- Maintenance-free
- Easy to operate

Technical Features

- Finely graduated drop extension adjustable in multiple ways
- Five different mounting heights
- Compensating foot with particularly large drift

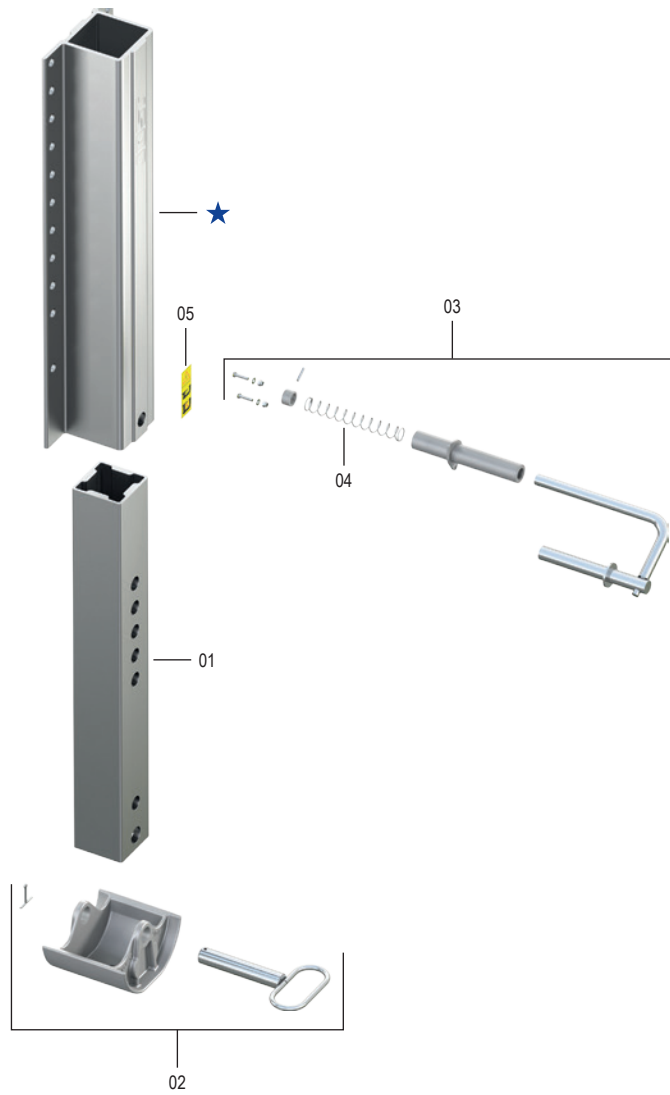
Technical Specification



Order No.	Foot	Weight (kg)	Supported weight per side (t)	Static test load per side (t)	Mounting height M (mm)	Dimension A (mm)	Dimension B (mm)
FA027A930	A	21,4	12	16	930	912	260
FA027A880	A	20,7	12	16	880	862	260
FA027A830	A	20,0	12	16	830	812	260
FA027A780	A	18,7	12	16	780	762	210
FA027A730	A	18,0	12	16	730	712	210

FA 027

Spare parts



★ no spare part

Item	Description	Remark	Order No.	per side
01	Bh 930 support leg		JS E0129400	1
	Bh 880 support leg		JS E0129400	1
	Bh 830 support leg		JS E0129400	1
	Bh 780 support leg		JS E0129401	1
	Bh 730 support leg		JS E0129401	1

Item	Description	Remark	Order No.	per side
02	A foot	compl.	JS E0126600	1
03	Locking kit compl.	with 04	JS E0129100	1
04	Spring for locking kit		JS E0128800	1
05	Warning label		JS E0129800	1

