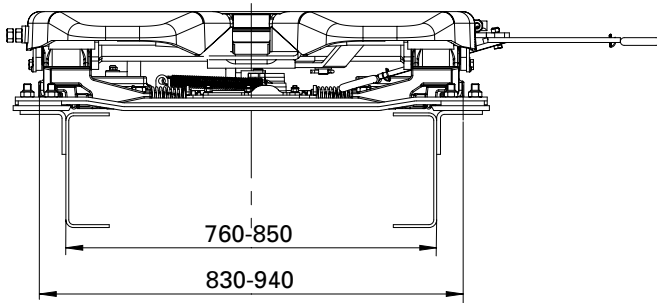


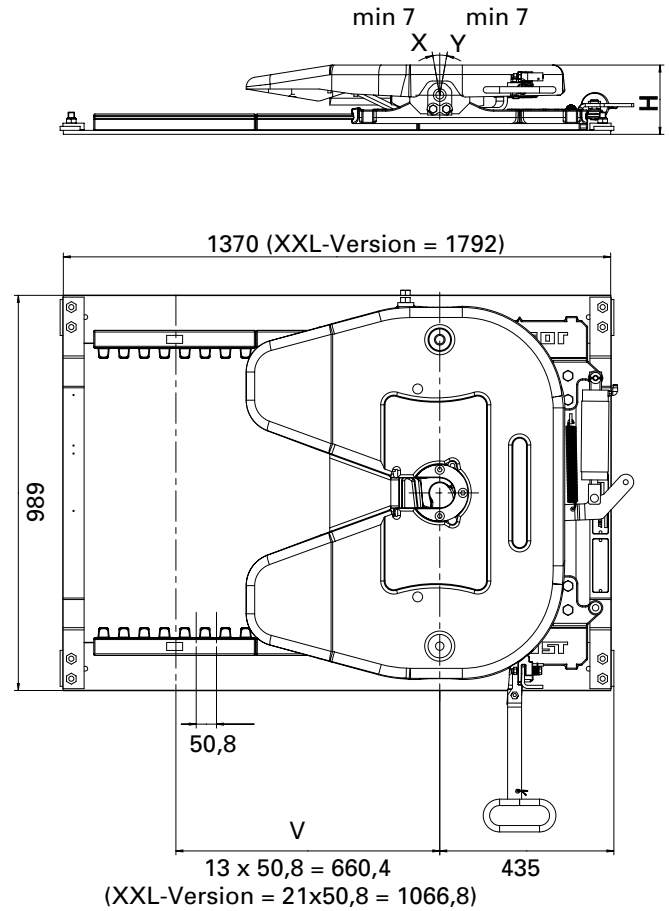
# Sliders · JSK SL

## Advantages at a glance

- Low weight
- Suitable for all standard hole pattern types
- Optimum protection against corrosion thanks to E-coating



V = Sliding distance



## Technical Data

| Type   | D value (kN) | Imposed load U (t) | Approval (ECE SL) |
|--------|--------------|--------------------|-------------------|
| JSK SL | 152          | 20                 | E1 55R-01 1151    |

- The JSK SL is not suitable for use in site traffic.
- The load conditions apply for operation on paved roads and transport conditions typical in Central Europe.
- Please enquire about uses other than these.

Installation instructions under [www.jost-world.com](http://www.jost-world.com)

## Technical Specification

Suitable for 2" king pins (class G 50) as per ECE R55-01, DIN 74080, ISO 337 and steering wedges as per ECE R55-01, DIN 74085.



Mounting and operating instructions / Repair Manuals

## Order key for JSK SL

### Components and variants

| Fifth wheel coupling JSK SL          | Mounting height    | Variants Handle / SK-Maintenance                           | Customer hole pattern types (all e-coated)                                |
|--------------------------------------|--------------------|--|---|
| <b>D0</b> = JSK 36 D (pressed steel) | <b>32</b> = 173 mm | <b>06</b> = Slider manual                                  | <b>AA</b> = Standard (without hole pattern, no customer-specific pattern) |
| <b>E0</b> = JSK 37 E (cast)          | <b>45</b> = 203 mm | <b>07</b> = Slider manual/JSK 37 EW                        | <b>FV</b> = IVECO hole pattern 920/M16                                    |
|                                      | <b>73</b> = 263 mm | <b>T6</b> = Slider manual/JSK 37 EW/LT1P                   | <b>DR</b> = DAF hole pattern 880/M16/150/100/200                          |
|                                      |                    | <b>D6</b> = Slider manual/JSK 36 D + 3 Sensors*            | <b>CK</b> = MAN hole pattern 880/M16                                      |
|                                      |                    | <b>20</b> = Slider pneumatic                               | <b>TS</b> = DAF hole pattern 880/M16                                      |
|                                      |                    | <b>21</b> = Slider pneumatic/JSK 37 EW                     | <b>CN</b> = RVI hole pattern 900/M16                                      |
|                                      |                    | <b>I3</b> = Slider pneumatic/JSK 37 EW/LT1P                | <b>DV</b> = RVI hole pattern 940/M16                                      |
|                                      |                    | <b>D5</b> = Slider pneumatic/JSK 36 D + 3 Sensors          | <b>EC/GA</b> = Scania hole pattern*** 880/M18/reinforced traverse         |
|                                      |                    | <b>V2</b> = Slider pneumatic/JSK 37 E/1 Sensor on Slider** | <b>BC/GC</b> = Scania hole pattern 880/M18                                |
|                                      |                    | <b>X6</b> = XXL Slider manual                              | <b>BD</b> = Volvo hole pattern 930/M12                                    |
|                                      |                    | <b>X4</b> = XXL Slider manual/JSK 37 EW/LT1P               | <b>DF</b> = JOST hole pattern XXL Slider 880/M16                          |
|                                      |                    | <b>X8</b> = XXL Slider pneumatic                           |   |
|                                      |                    | <b>X5</b> = XXL Slider pneumatic/JSK 37 EW/LT1P            |   |

\* = remote display and cable set have to be ordered separtly

\*\* = only availiabe in mounting heights 173 mm and 203 mm with customer hole pattern type GA/GC

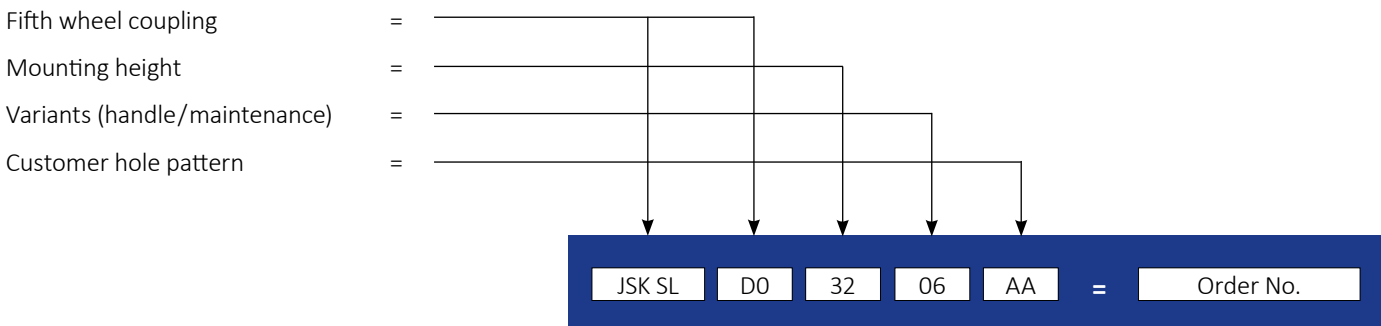
\*\*\* = reinforced traverse only possible with elevated mounting angle

**XXL-Slider only with "AA" or "DF" hole pattern**

#### Explanations:

JSK 37 EW = Low-maintenance version with plastic top plate liner  
 LT1P = LubeTronic 1Point

### Example of an order number – JSK SL DO 32 06 AA



#### Mounting kits

| Customer hole pattern | Order No.    | Quantity per SL |
|-----------------------|--------------|-----------------|
| CT/FV                 | SLE000000120 | 1               |
| CK                    | SLE000000120 | 1               |
| CN/DV                 | SLE000000120 | 1               |
| BP                    | SLE000000120 | 1               |
| CP/DR/TS              | SLE000000120 | 1               |
| DF                    | SLE000000120 | 2               |
| BD                    | SLE000000320 | 1               |
| EC/BC                 | SLE000000220 | 1               |
| CB                    | SLE000000720 | 1               |

#### Remote display

| Order No.    | Description                                | Weight (kg) |
|--------------|--|-------------|
| SKE501620200 | 3-sensor-display, 24 V (european Standard) | 0,075       |
| SKE501620500 | 3-sensor-display, 12 V                     | 0,075       |

#### Cable set

| Order No.    | Description                               | Weight (kg) |
|--------------|---|-------------|
| SKE002110200 | ADR (for hazardous materials transporter) | 1,85        |

#### Fleetmaster Handle

| Order No.    | Description                   | Weight (kg) |
|--------------|-------------------------------|-------------|
| SKE070616469 | complete for slider manual    | 2,00        |
| SKE070616416 | complete for slider pneumatic | 2,00        |

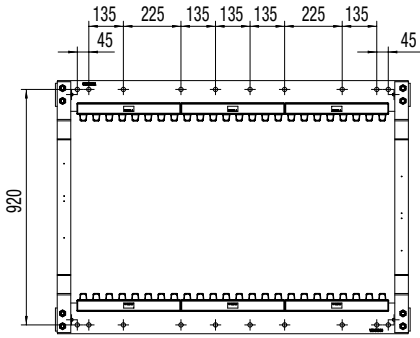
available with

**Sensoric**   **LubeTronic 1P**

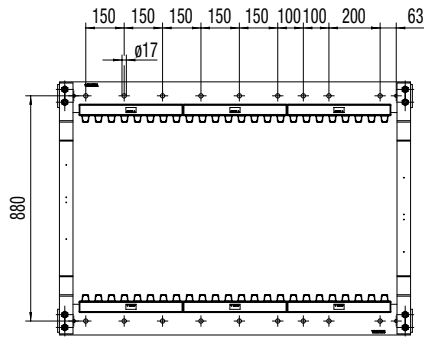
Delivery time on request (not all combinations are possible)

Customer hole pattern

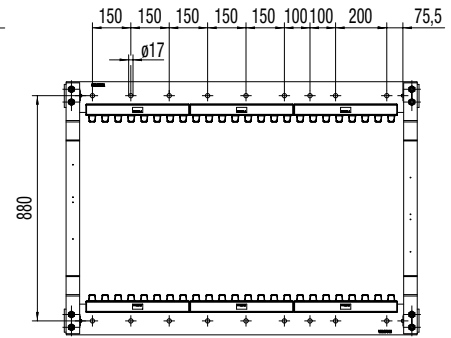
FV



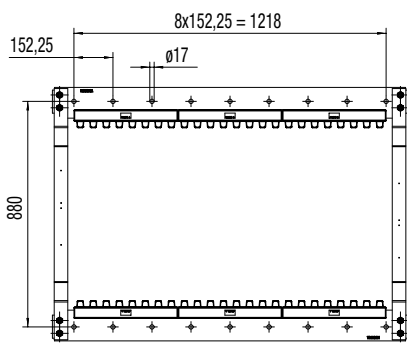
DR



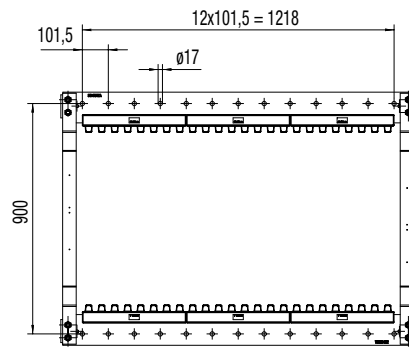
TS



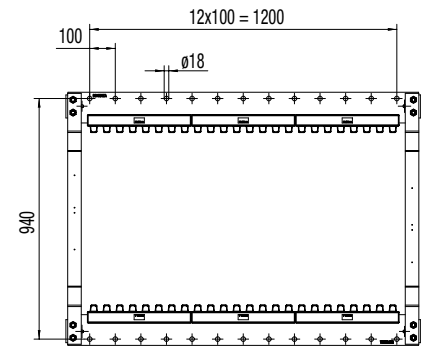
CK



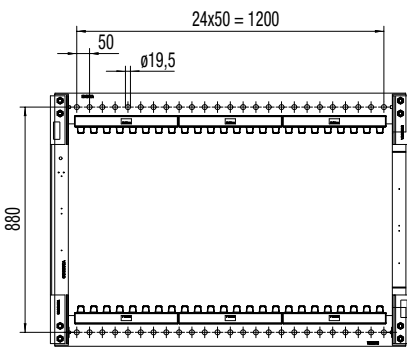
CN



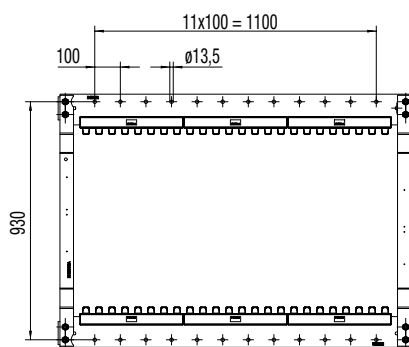
DV



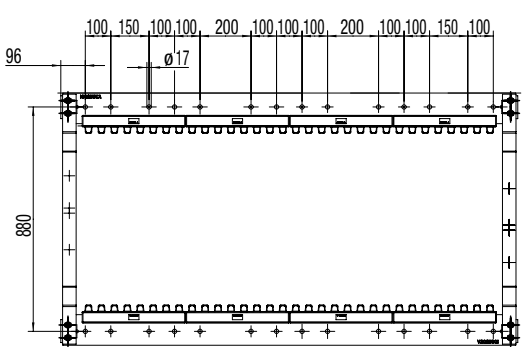
EC/GA/BC/GC



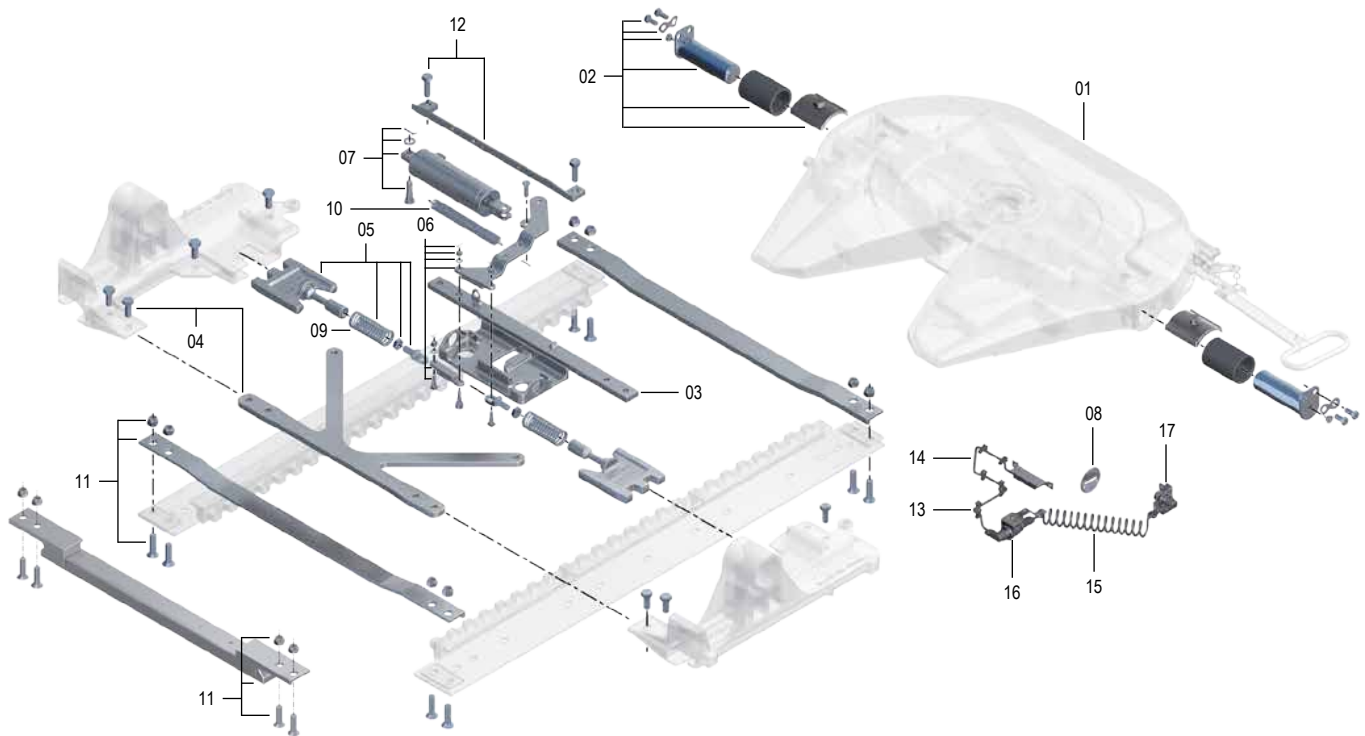
BD



DF



# JSK SL



## Spare parts

| Item | Description                     | Remark                | Order No.    | per JSK | Item | Description                    | Remark                | Order No.     | per JSK |
|------|---------------------------------|-----------------------|--------------|---------|------|--------------------------------|-----------------------|---------------|---------|
| 01   | Fifth wheel coupling            | *                     |              | 1       | oZ   | Handle, kit BH 203             | for manual version    | SLE2028500201 | 1       |
| 02   | Bearing                         | for JSK SLEOxxxxx     | SK 3121-61   | 1       | oZ   | Handle, kit BH 220             | for manual version    | SLE202850020  | 1       |
| 02   | Bearing                         | for JSK SLDOxxxxx     | SK 2921-051  | 1       | oZ   | Handle, kit BH 263             | for manual version    | SLE202720020  | 1       |
| 03   | Bearing, kit                    |                       | SLE202210020 | 1       | 12   | Bridge, kit                    | for manual version    | SLE202770020  | 1       |
| 04   | Bracing, kit                    |                       | SLE202120020 | 1       | 12   | Bridge, kit                    | for pneumatic version | SLE203300020  | 1       |
| 05   | Stopper, kit                    | with 09               | SLE202520020 | 2       | 12   | Bridge, kit                    | for JSKSLxxxxV2xx     | SLE205070120  | 1       |
| 06   | Lever, kit                      |                       | SLE202300020 | 1       | 13   | Cable tie                      | for JSKSLxxxxV2xx     | NTE004050000  | 7       |
| 07   | Cylinder, kit                   | for pneumatic version | SLE202410020 | 1       | 14   | Sensor kit                     | for JSKSLxxxxV2xx     | SKE002331100  | 1       |
| 08   | Pneumatics kit                  | for pneumatic version | V 1021-54    | 1       | 15   | Coiled cable                   | for JSKSLxxxxV2xx     | SLE203810100  | 1       |
| 09   | Pressure spring                 |                       | SLE201330020 | 2       | 16   | Plug holder, Bearing plate kit | for JSKSLxxxxV2xx     | SLE203790000  | 1       |
| 10   | Double tension spring           | for pneumatic version | SLE202610000 | 1       | 17   | Plug holder, traverse, kit     | for JSKSLxxxxV2xx     | SLE203930000  | 1       |
| 10   | Double tension spring           | for manual version    | SLE202950096 | 1       | oZ   | Support for lift sensor, kit   | for JSKSLxxxxV2xx     | SLE203780000  | 1       |
| 11   | Traverse, kit                   |                       | SLE201380020 | 2       | oZ   | Elbow lever with magnet        | for JSKSLxxxxV2xx     | SLE203820000  | 1       |
| 11   | Reinforced traverse, kit Scania |                       | SLE201380320 | 2       |      |                                |                       |               |         |
| oZ   | Handle, kit BH 173              | for manual version    | SLE202420020 | 1       |      |                                |                       |               |         |

\* Spare parts of fifth wheel coupling see JSK 37 E or JSK 36 D  
The gear racks and pedestals are not available as spare parts.