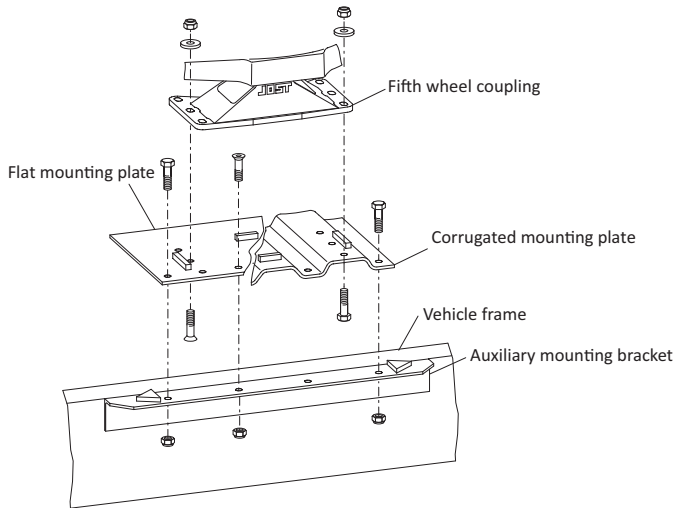


Mounting kits



Contents of the mounting kits

Order No.	Description	Quantity
SKE120662600	Countersunk bolts M16 x 1,5 x 55	4
	Hexagon nuts M16 x 1,5	4
	Washer 17	4
SKE120662700	Hexagon bolts M16 x 1,5 x 60	4
	Hexagon nuts M16 x 1,5	4
	Washer 17	4
SKE120662800	Hexagon bolts M16 x 1,5 x 50	4
	Hexagon nuts M16 x 1,5	4
SKE120662900	Hexagon bolts M20 x 1,5 x 50	4
	Hexagon nuts M20 x 1,5	4
SKE120663000	Countersunk bolts M20 x 50	4
	Hexagon nuts M20	4
SKE120663100	Stop blocks 15/100 mm	4
	Stop blocks 15/60 mm	4
	Stop blocks triangle 65 x 12	4

Allocation of mounting kits and order quantity

Order No.	Fifth wheel coupling on mounting plate		Mounting plate on vehicle frame			
	SKE120662600	SKE120662700	SKE120662800	SKE120662900	SKE120663000	SKE120663100
MP 0113*		3x	2x			1x
MP 0113-099	3x		3x			1x
MP 0113-109	3x		2x			1x
MP 0113-68		3x	2x			1x
MP 0113-80	3x		2x			1x
MP 0115*		3x	2x			1x
MP 0184-099	3x					1x
MPL01010135AA	3x			2x		1x
MPL01010725AH	3x			1x	1x	1x
MPL03080708AA	2x		2x			
MP 2102*		3x	2x			1x
MP 2102-106		3x	2x			1x
MP 2111*		3x	2x			1x
MPL21030351AA		3x		2x		1x
MP 4101*		3x	2x			1x
MP 4101-49		3x	2x			1x
MP 4102*		3x	2x			1x
MP 4102-106		3x	2x			1x
MP 4103*		3x	2x			1x
MP 4103-088		3x	3x			1x
MP 4111*		3x	2x			1x
MP 4111-228		3x	2x			1x
MP 4153*		3x	2x			1x
MPL01010159AA	3x		3x			1x
MPL01010228AJ	2x	1x	4x			1x
MPL01010808AA	3x			2x		1x
MPL01010808AH	3x			2x		1x
MPL01011012AA	3x			2x		1x
MPL01011013AA	3x			1x	1x	1x
MPL01011015AA	2x	1x		1x	1x	1x
MPL01011016AA	2x	1x		1x	1x	1x
MPL41040351AA		3x		2x		1x
MPL41040708AA		3x		2x		1x
MPL41040962AA		3x	3x			1x
MPL41041014AA		3x		2x		1x
MPL41041017AA		3x	2x			1x
MPL41042140AA		3x	3x			1x
MPL41042303AA		3x	2x			1x

* This mounting plate is not drilled and therefore the screw sets for connection to the auxiliary mounting bracket of the vehicle are only a recommendation. An individual check is necessary, as the hole pattern may vary depending on the frame. We will be happy to advise you.