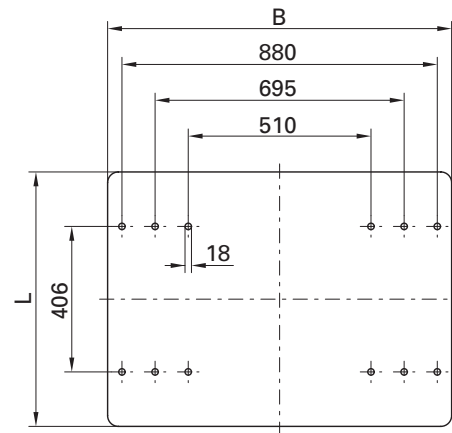
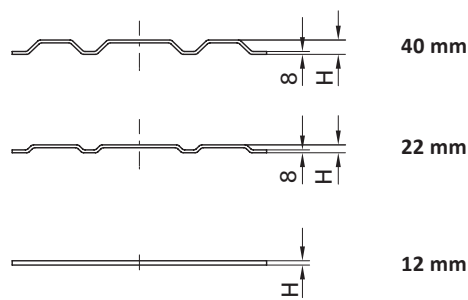


Mounting plates for 2" fifth wheel couplings



Hole pattern as per DIN 74081 / ISO 3842

Selection table / Versions available

Order No.	H (mm)	L (mm)	B (mm)	D value (kN)	Imposed load U (t)	Weight (kg)	Approval (ECE)	Fifth wheel coupling** Mounting height (mm)	Frame hole pattern
MP0113	12	710	960	152	20	62	E1 55R-01 0367	up to 300	without
MP0113-109	12	710	960	152	20	63	E1 55R-01 0367	up to 300	DAF
MP0113-68	12	710	960	152	20	64	E1 55R-01 0367	up to 300	MAN
MP0113-099	12	710	960	152	20	62	E1 55R-01 0367	up to 300	IVECO
MP0113-36	12	710	960	152	20	63	E1 55R-01 0367	up to 300	Scania
MPL01010135AA	12	710	960	152	20	63	E1 55R-01 0367	up to 300	Scania
MP0115	12	710	1050	152	20	72	E1 55R-01 0367	up to 300	without
MP0115-148	12	710	1050	152	20	72	E1 55R-01 0367	up to 300	Ford
MPL01010228AJ	12	710	1050	126	15	63	E1 55R-01 0367	up to 300	MAN
MPL01011012AA*	12	650	960	152	20	58	E1 55R-01 0367	up to 300	Mercedes-Benz
MPL01011013AA	12	650	960	152	20	58	E1 55R-01 0367	up to 300	Mercedes-Benz
MPL01010808AA*	12	650	1010	152	20	61	E1 55R-01 0367	up to 300	Mercedes-Benz***
MPL01010725AH	12	650	1010	152	20	61	E1 55R-01 0367	up to 300	Mercedes-Benz***
MPL21030936AA	22	780	960	152	20	48	E1 55R-01-0368	up to 300	Scania
MP2102	22	665	960	152	20	42	E1 55R-01 0368	up to 300	without
MPL21032140AA	22	780	1050	152	20	52	E1 55R-01 0368	up to 300	Ford
MP2111	22	665	1050	152	20	45	E1 55R-01 0368	up to 300	without
MP4101	40	710	960	152	20	48	E1 55R-01 0368	up to 300	without
MP4102	40	665	960	152	20	45	E1 55R-01 0368	up to 300	without
MP4102-090	40	665	960	152	20	43	E1 55R-01 0368	up to 300	Scania
MP4102-106	40	665	960	152	20	45	E1 55R-01 0368	up to 300	MAN
MPL41040936AA	40	780	960	152	20	51	E1 55R-01 0368	up to 300	Scania
MP4103-088	40	710	1050	152	20	52	E1 55R-01 0368	up to 300	Daewoo
MP4111	40	665	1050	152	20	48	E1 55R-01 0368	up to 300	without
MP4111-228	40	665	1050	152	20	48	E1 55R-01 0368	up to 300	Ford
MPL41041014AA	40	650	960	152	20	45	E1 55R-01 0368	up to 300	Mercedes-Benz
MPL41040708AA	40	650	1010	152	20	49	E1 55R-01 0368	up to 300	Mercedes-Benz***
MP4153	40	650	1050	152	20	50	E1 55R-01 0368	up to 300	without

* only for the JSK 42 series

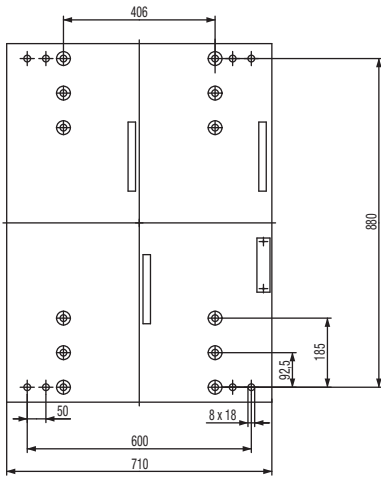
** without MP

*** Actros from MP4

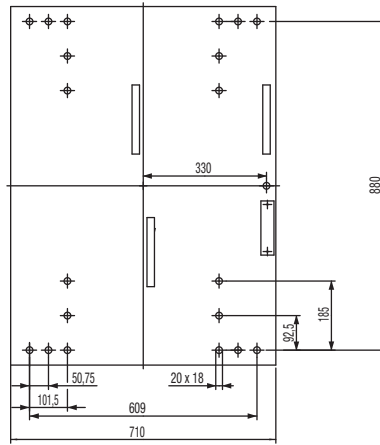
Other mounting plates available on request.

Customer hole pattern

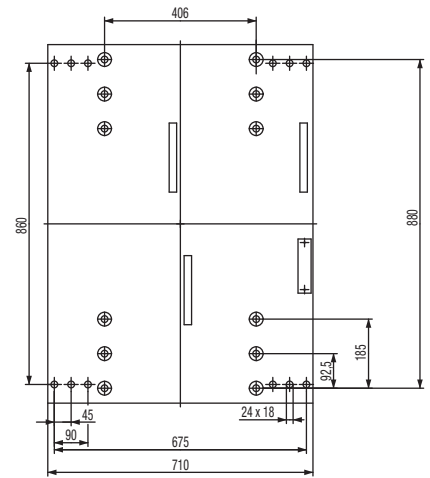
MP 0113-109
(12/710/960)



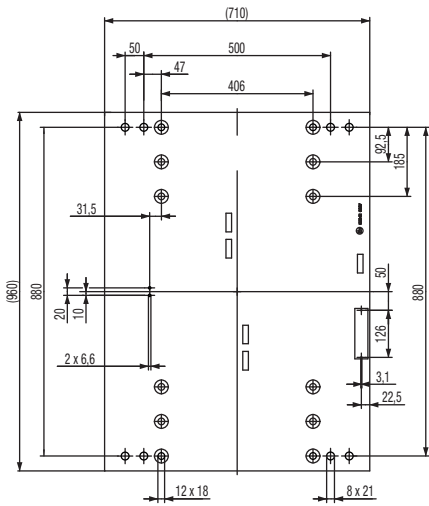
MP 0113-68
(12/710/960)



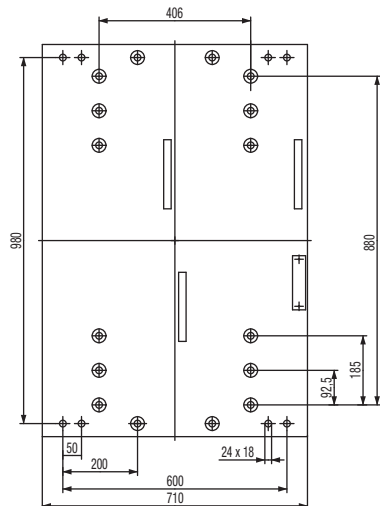
MP 0113-099
(12/710/960)



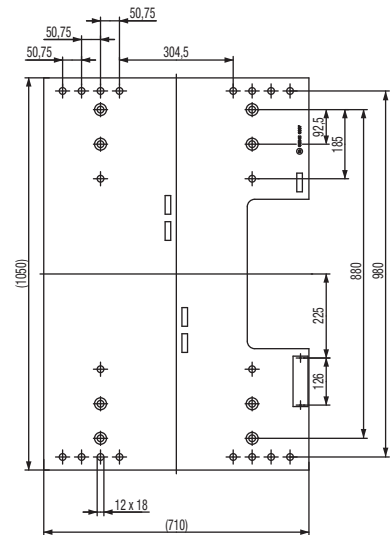
MPL01010135AA
(12/710/960)



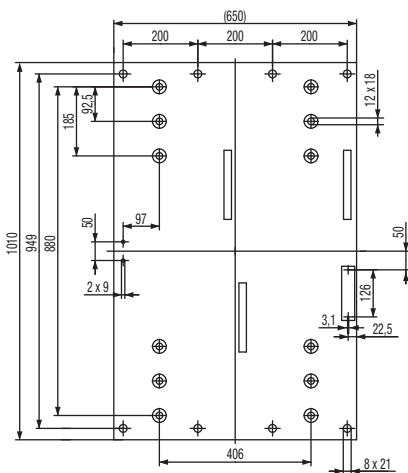
MP 0115-148
(12/710/1050)



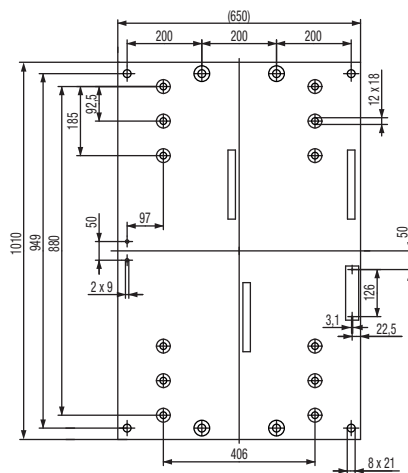
MPL01010228AJ
(12/710/1050)



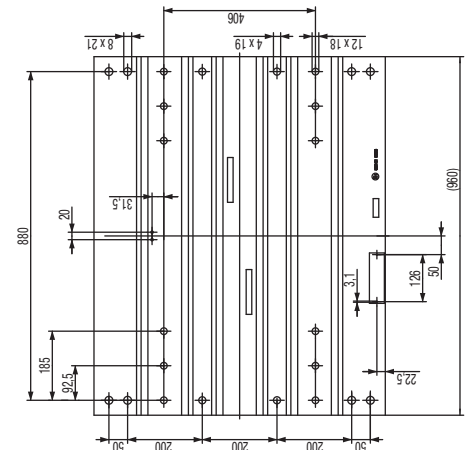
MPL01010808AA
(12/650/1010)



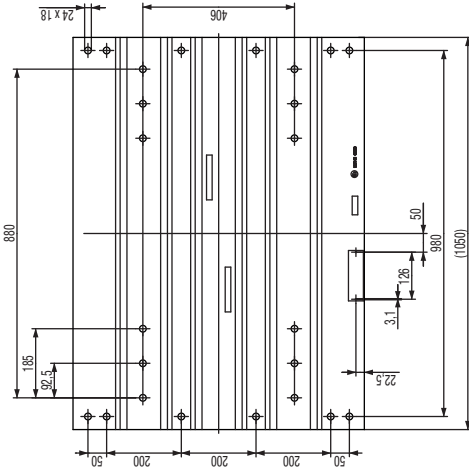
MPL01010725AH
(12/650/1010)



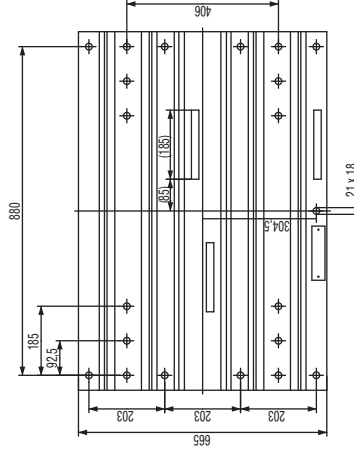
MPL21030936AA
(22/780/960)



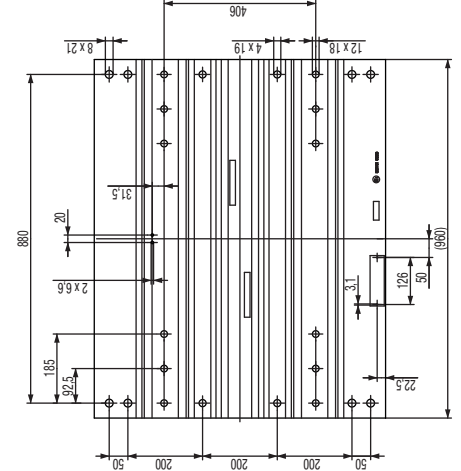
MPL21032140AA
(22/780/1050)



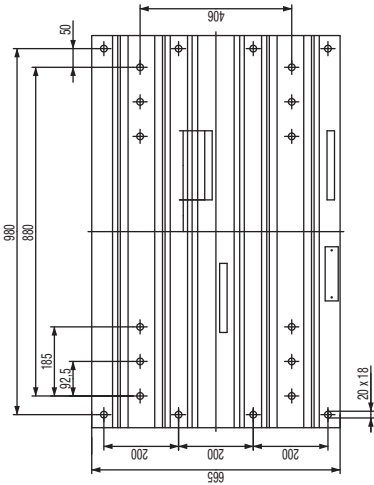
MP 4102-106
(40/665/960)



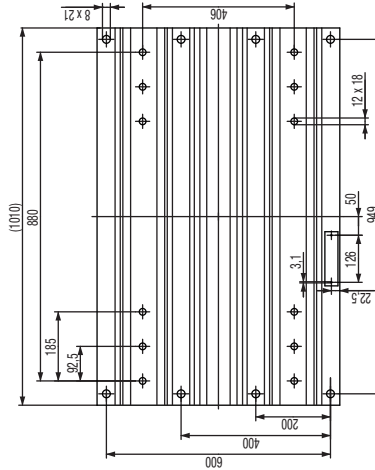
MPL41040936AA
(40/780/960)



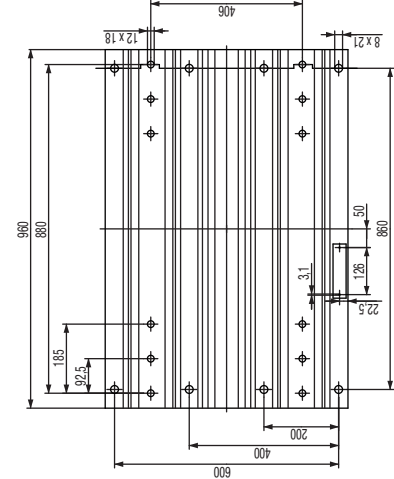
MP 4111-228
(40/665/1050)



MPL41040708AA
(40/650/1010)



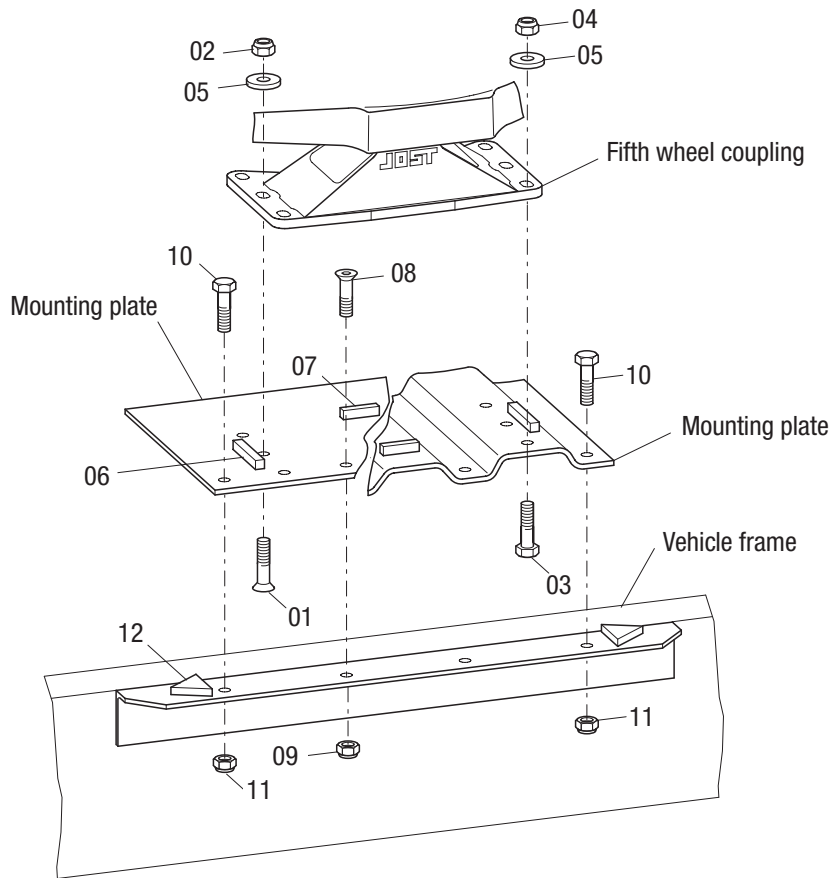
MPL41041014AA
(40/650/960)



Notices de montage et d'utilisation /
Instructions de réparation

Mounting kits

JSK 36 DV · JSK 37 · JSK 42 K0



Mounting kit consisting of (Quantity per kit):

Item	Order No.	SK 2110-38 (12 mm)	SK 2110-43 (12 mm)	SK 2110-45 (12 mm)	SK 2110-46 (12 mm)	SK 2110-15 (22 / 40 mm)	SK 2110-25 (22 / 40 mm)	SK 2110-16 (100 / 150 mm)	SK 2110-26 (100 / 150 mm)	SKE009910020 (22 / 40 mm)
	Height of MP: MP for:	JSK 36/37	JSK 36/37	JSK 42	JSK 42	all	all	all	all	all
Description										
01	Countersunk bolt M16 x 60	4								
01	Countersunk bolt M16 x 1,5 x 55		8	12	12					
02	Hexagon nuts M16	4								
02	Hexagon nuts M16 x 1,5		8	12	12					
03	Hexagon bolts M16 x 1,5 x 60	8	4					12	12	
03	Hexagon bolts M16 x 1,5 x 50					12	12			12
04	Hexagon nuts M16 x 1,5	8	4			12	12	12	12	12
05	Washer 17	12	12	12	12	12	12	12	12	12
06	Stop blocks 15/100 mm	4	4	4	4	4	4	4	4	
07	Stop blocks 15/60 mm	2	2	2	2	2	2	2	2	
08	Countersunk bolt M16 x 50	4								
08	Countersunk bolt M20 x 50		4							
09	Hexagon nuts M16	4								
09	Hexagon nuts M20		4							
10	Hexagon bolts M16 x 1,5 x 50	8		8		8		8		
10	Hexagon bolts M20 x 1,5 x 50		4		8		8		8	
11	Hexagon nuts M16 x 1,5	8		8		8		8		
11	Hexagon nuts M20 x 1,5		4		8		8		8	
12	Stop blocks triangle 65 x 12	4	4	4	4	4	4	4	4	

Note: M20 screws are usually used in Mercedes-Benz vehicles. Please bear this in mind when selecting the screw kits.