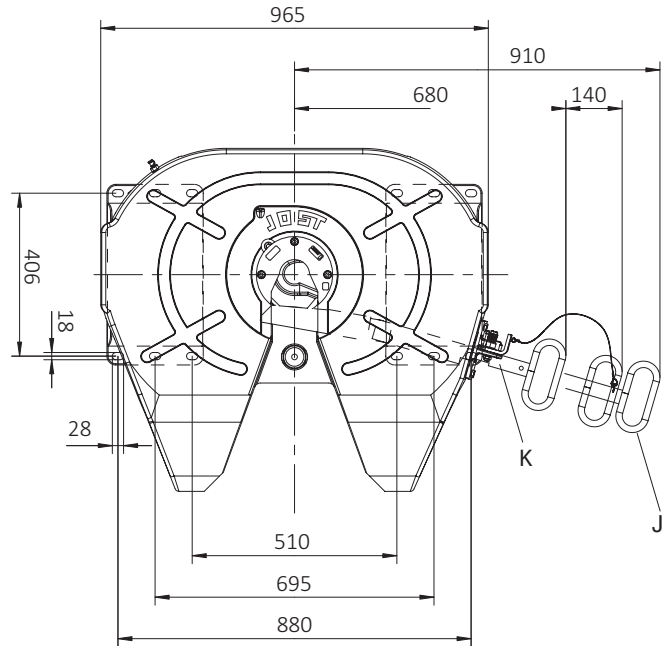
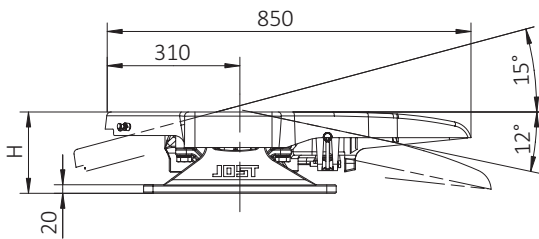


# Heavy duty – Fifth wheel couplings · JSK 38 C1

## Advantages at a glance

- Especially robust heavy duty fifth wheel coupling
- Especially for use on poor road conditions
- Shock-absorbing rubber bearing
- Retrofittable from 2" or 3½" and vice versa



## Selection table / Versions available

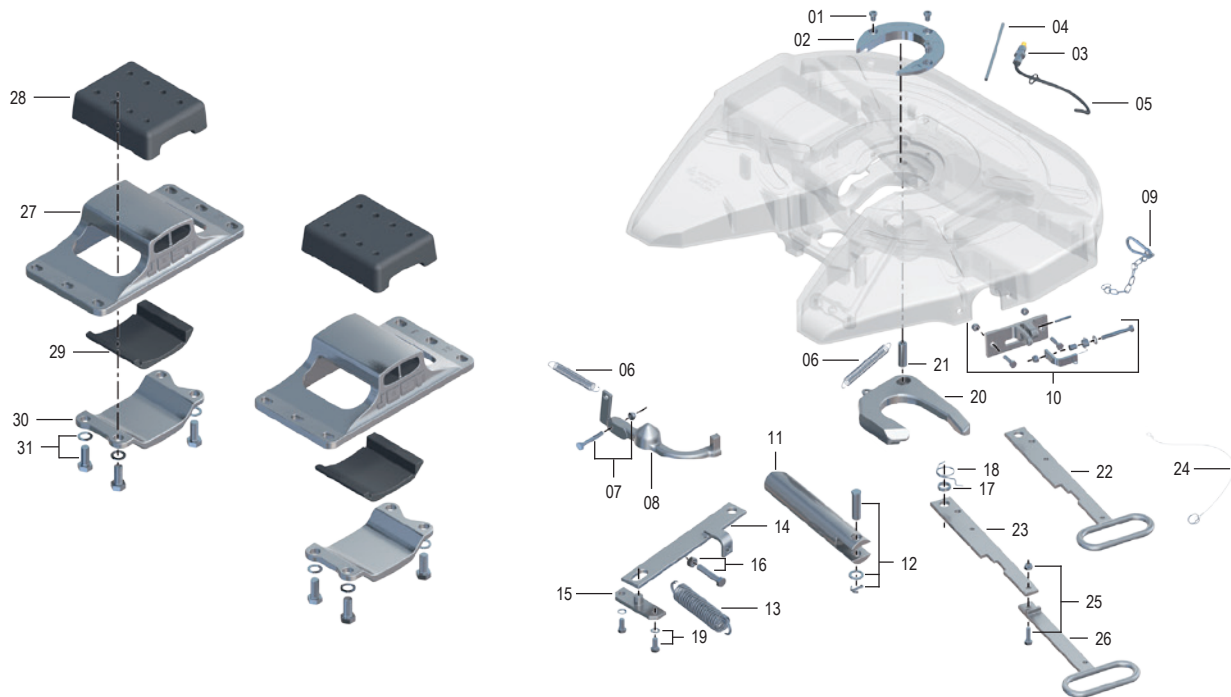
Order No.	H (mm)	Y	D value (kN)	Lock	Imposed load U (t)	Weight (kg)	Approval (ECE)	WA	ZL
JSK 38 C0 21 16 DJ*	160	12°	260	3½"	36	184	E1 55R-01 0471	Z	K
JSK 38 C1 Z	190	12°	260	3½"	36	190	E1 55R-01 0471	Z	K
JSK 38 C0 40 67 DJ	190	12°	260	3½"	36	191	E1 55R-01 0471	Z	J
JSK 38 C0 40 BR AA	190	12°	260	3½"	36	202	E1 55R-01 0471	LT5P ST	J
JSK 38 C0 40 BV BB	190	12°	260	3½"	36	202	E1 55R-01 0471	LT5P MB	K
JSK 38 C0 40 DP CL	190	12°	260	3½"	36	202	E1 55R-01 0471	LT5P MAN	K
JSK 38 C0 70 16 DJ	250	15°	260	3½"	36	205	E1 55R-01 0471	Z	K
JSK 38 C0 70 67 DJ	250	15°	260	3½"	36	205	E1 55R-01 0471	Z	J
JSK 38 C0 70 BR AA	250	15°	260	3½"	36	206	E1 55R-01 0471	LT5P ST	J
JSK 38 C0 70 BV BB	250	15°	260	3½"	36	206	E1 55R-01 0471	LT5P MB	K
JSK 38 C0 70 Q8 AA	250	15°	260	3½"	36	206	E1 55R-01 0471	LT5P MAN	K
JSK 38 C0 21 17 DJ*	160	12°	170	2"	28	184	E1 55R-01 0472	Z	K
JSK 38 C1-2Z	190	12°	170	2"	28	190	E1 55R-01 0472	Z	K
JSK 38 C1-2ZJ	190	12°	170	2"	28	191	E1 55R-01 0472	Z	J
JSK 38 C0 40 T8 AA	190	12°	170	2"	28	202	E1 55R-01 0472	LT5P ST	K
JSK 38 C0 40 BW BB	190	12°	170	2"	28	202	E1 55R-01 0472	LT5P MB	K
JSK 38 C0 40 DO CL	190	12°	170	2"	28	202	E1 55R-01 0472	LT5P MAN	K
JSK 38 C0 70 17 DJ	250	15°	170	2"	28	205	E1 55R-01 0472	Z	K
JSK 38 C0 70 68 DJ	250	15°	170	2"	28	205	E1 55R-01 0472	Z	J
JSK 38 C0 70 T8 AA	250	15°	170	2"	28	206	E1 55R-01 0472	LT5P ST	K
JSK 38 C0 70 BW BB	250	15°	170	2"	28	206	E1 55R-01 0472	LT5P MB	K

\* JSK 38 C is in the mounting height of 160 mm only permissible in combination with mounting plate (mounting unit see JSK 38 MC) and for installation in heavy duty sliders EV HD800-6 (serial no. 2599104 and higher) and EV HD85.

Explanatory notes for the selection tables please refer to page 15.

# JSK 38 C1/ C1- 2" / ... Z

## Spare parts

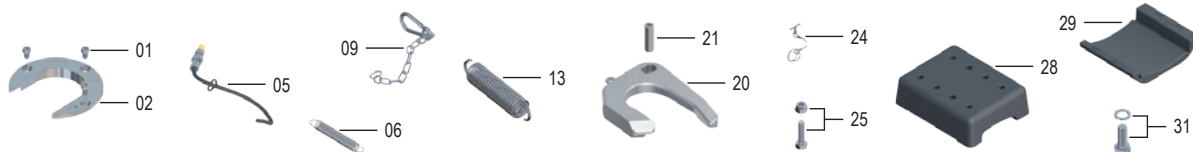


Item	Description	Remark	Order No.	per JSK
01	Socket head bolt		SK 2421-08	3
02	Wearing ring	3½", compl. with 01	SK 2421-56	1
02	Wearing ring	2", compl. with 01	SK 2421-57	1
03	Nut and bolt		SK 1976	1
04	Lubrication tube		SK 2205-12	1
05	Lubrication line	compl. with cable tie, for type Z	SK 2508-02	1
06	Tension spring		SK 2106-01	2
07	Hexagon bolt	compl.	SK 2421-51	1
08	Latch		SK 2405-27	1
09	Spring hook	compl. up to xx60xxxxxx	SK 1436	1
10	Latch	compl.	SKE240508400	1
11	Locking bolt		SK 2405-01	1
12	Bar bolt	compl.	SK 2121-14	1
13	Double tension spring		SK 2405-23	1
14	Lever		SK 2405-04	1
15	Bearing		SK 2405-15	1
16	Hexagon bolt	compl.	SK 2421-52	1
17	Washer		SK 2405-19	1
18	Spring noose		SK 2405-09	1
19	Hexagon bolt	compl.	SK 2421-53	2

Item	Description	Remark	Order No.	per JSK
20	Lock jaw	compl. with 06, 3½" for type M	SK 2405-14	1
20	Lock jaw	compl. with 06, 3½" for type Z	SK 2405-14 Z	1
20	Lock jaw	compl. with 06, 2" for type M	SK 2405-13	1
20	Lock jaw	compl. with 06, 2" for type Z	SK 2405-13 Z	1
21	Bolt		SK 2405-18	1
22	Short handle	for type K	SK 2405-066	1
23	Locking bolt	for type J	SK 2405-067	1
24	Latch cord	compl. for type J	SK 3521-02	1
25	Hexagon bolt	compl. for type J	SK 2421-50	1
26	Long handle	for type J	SK 3105-113	1
27	Pedestal BH 160 (ISO)*		SK 2404-05	2
27	Pedestal BH 190 (ISO)		SK 2404-01	2
27	Pedestal BH 250 (ISO)		SK 2404-04	2
28	Rubber cushion, upper		SK 2006	2
28	Rubber cushion, upper	with steering wedge	SK 2006 L	2
29	Rubber cushion, lower		SK 2007	2
30	Bridge		SK 2005	2
31	Hexagon bolt	compl.	SK 2421-55	8

\* Construction with pedestal 160 mm only permissible in combination with mounting plate MP 0119-113, EV HD800-06 or EV HD85.

## Repair and retrofit kits



Item	Description	Order No.
01, 02, 06, 09, 13, 20, 21	Repair kit for lock 3½", for type C	SK 2421-76
01, 02, 05, 06, 09, 13, 20, 21	Repair kit for lock 3½", for type CZ	SK 2421-76 Z
01, 02, 06, 09, 13, 20, 21	Repair kit for lock 2", for type C	SK 2421-77
01, 02, 05, 06, 09, 13, 20, 21	Repair kit for lock 2", for type CZ	SK 2421-77 Z
28, 29, 31	Repair kit for bearing, for type C/CZ	SK 2421-78

Item	Description	Order No.
01, 02, 06, 20	Conversion kit for lock 3½" in 2", for type C	SK 2421-98
01, 02, 06, 20	Conversion kit for lock 3½" in 2", for type CZ	SK 2421-98 Z
01, 02, 06, 20	Conversion kit for lock 2" in 3½", for type C	SK 2421-99
01, 02, 06, 20	Conversion kit for lock 2" in 3½", for type CZ	SK 2421-99 Z
24, 25	Retrofit kit handle extension compl., for type C/CZ	SK 3121-063

Repair instructions at [www.jost-world.com](http://www.jost-world.com)

Spare parts for LubeTronic 5Point please refer to LubeTronic 5Point.