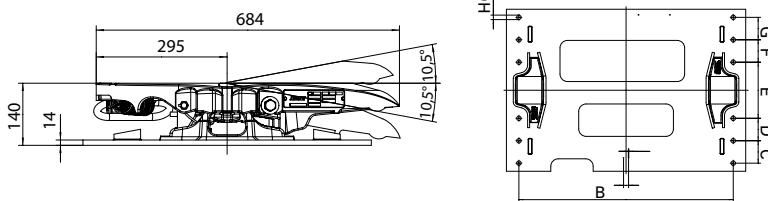
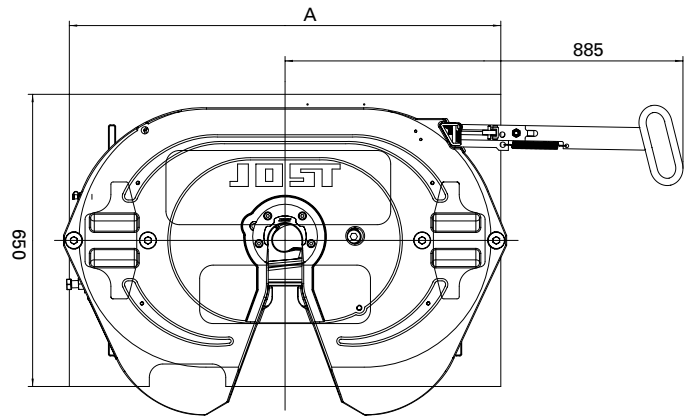


# Fifth wheel couplings · JSK 42 MK 140

## Advantages at a glance

- Especially light 2" fifth wheel cast coupling with slide bearing for long-distance transport
- Very low mounting height
- **Flashtronic as standard (EV)**
- Optimised for stability
- With integrated mounting plate
- Low-maintenance version with plastic top plate liner and a lubricating point for the lock



available with



**LubeTronic 1P**

**Sensoric**

**FlashTronic**

## Selection table / Versions available

Order No.	H (mm)	A (mm)	Imposed load U (t)	D value (kN)	Customer hole pattern	Weight (kg)	Approval (EG) Fifth wheel Coupling	WA	ZL	Sensoric
JSK 42 MK 15 G4 AA	142	1050	15	126	without hole pattern	164	E1 55R-01 1245	W	J	EV
JSK 42 MK 15 G5 AA	142	1050	15	126	without hole pattern	164	E1 55R-01 1245	Z	J	EV
JSK 42 MK 15 G8 AA	142	960	15	126	DAF	158	E1 55R-01 1245	W	J	EV
JSK 42 MK 15 G9 AA	142	960	15	126	DAF	158	E1 55R-01 1245	Z	J	EV
JSK 42 MK 15 N6 EE	142	1010	15	126	Mercedes-Benz*	172	E1 55R-01 1245	Z	J	EV
JSK 42 MK 15 N7 EE	142	1010	15	126	Mercedes-Benz*	172	E1 55R-01 1245	W	J	EV
JSK 42 MK 15 BH AA	142	1010	15	126	Mercedes-Benz*	172	E1 55R-01 1245	W+LT1P	J	EV
JSK 42 MK 15 BI AA	142	1010	15	126	Mercedes-Benz*	173	E1 55R-01 1245	W+LT1P	J	MB
JSK 42 MK 15 BL BB	142	1010	15	126	Mercedes-Benz*	174	E1 55R-01 1245	LT5P	J	EV
JSK 42 MK 15 BU BB	142	1010	15	126	Mercedes-Benz*	175	E1 55R-01 1245	LT5P	J	MB
JSK 42 MK 15 H2 AA	142	960	15	126	MAN	158	E1 55R-01 1245	W	J	EV
JSK 42 MK 15 H3 AA	142	960	15	126	MAN	158	E1 55R-01 1245	Z	J	EV
JSK 42 MK 15 H4 AA	142	960	15	126	Scania	158	E1 55R-01 1245	W	J	EV
JSK 42 MK 15 H5 AA	142	960	15	126	Scania	158	E1 55R-01 1245	Z	J	EV

\* Actros from MP4

Explanatory notes for the selection tables please refer to page 15.

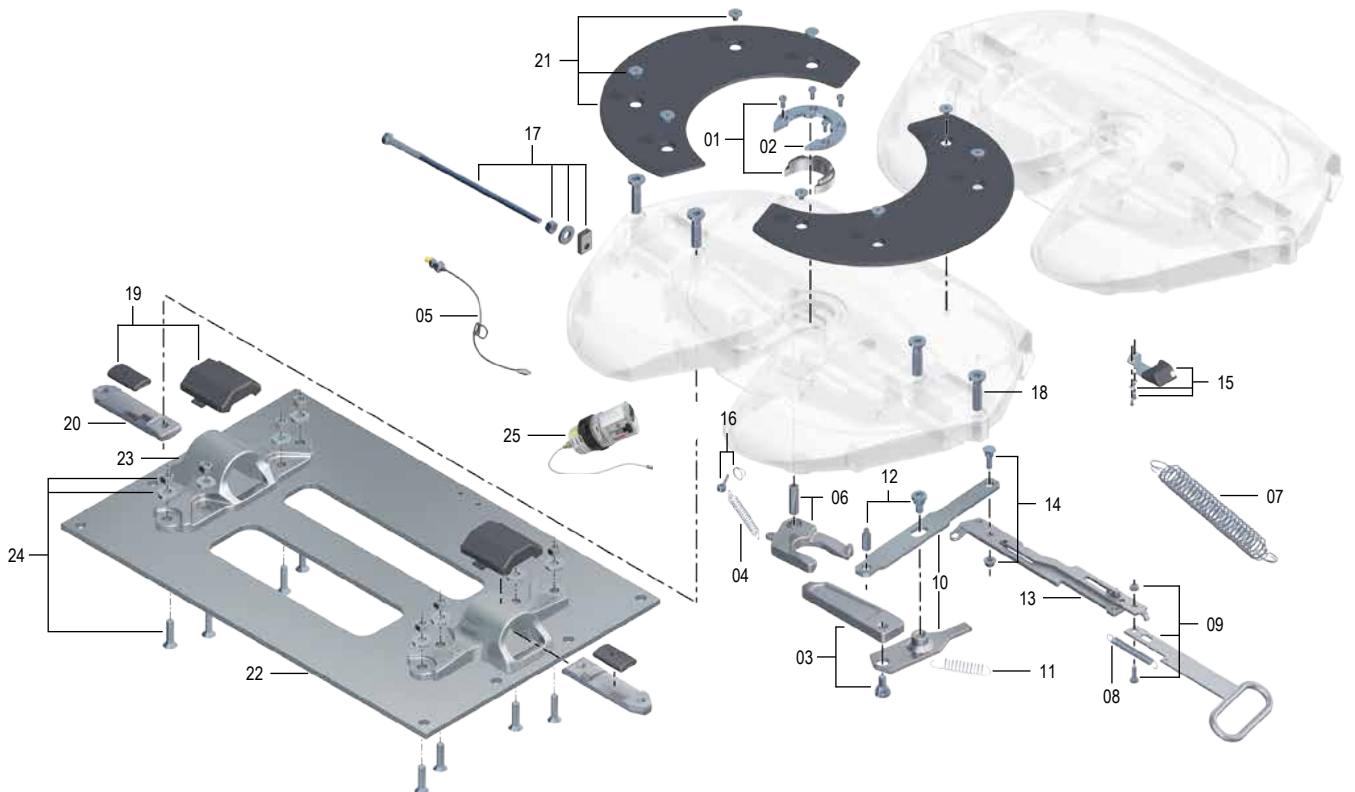
For using sensor coupling versions MB, the truck has to be prepared ex factory for sensors by the manufacturer.

## Customer hole pattern

LB	B (mm)	C (mm)	D (mm)	E (mm)	F (mm)	G (mm)	ø H (mm)
without hole pattern							
DAF	880	100	100	200	100	100	18
Mercedes-Benz*	949	200	-	200	-	200	21
MAN	880	101.5	101.5	203	101.5	101.5	18
Scania	880	200	-	200	-	200	19

# JSK 42 MK 140

## Spare parts

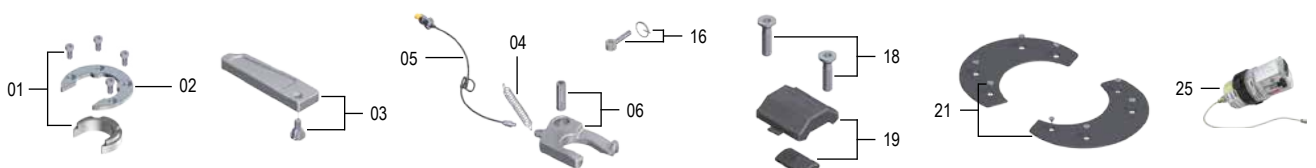


Item	Description	Remark	Order No.	per JSK
01	Wearing part + mount. bolts		SKE001740020	1
02	Mounting ring	with 01	SK 3105-94	1
03	Locking bolt + mount. bolt		SKE001009720	1
04	Tension spring		SK 847	1
05	Lubrication line	with cable tie	SK 3108-02	1
06	Lock jaw	with 04 + 05	SK 3221-52 Z	1
07	Double tension spring		SK 3105-20	1
08	Locking spring		SKE001440000	1
09	Long handle	with 08, L = 390 mm	SKE001390120	1
10	Lever kit	with 11 + 12	SKE001380020	1
11	Lever spring		SKE001009800	1
12	Lever bolt		SKE001750020	1
13	Lever with magnet	with 14	SKE001360600	1
14	Lever bolt		SKE001650020	1
15	Electronic locking display		SKE004350000	1

Item	Description	Remark	Order No.	per JSK
16	Eye bolt	compl.	SK 2122-04	1
17	Adjusting screw with guide		SKE500740220	1
18	Bridge bolt		SKE001011400	4
19	Collars with rubber cushion	with 18	SKE001940001	1
20	Bridge	with 18	SKE001530220	2
21	Plastic top plate liner with screws (8x)		SKE001007020	1
22	Mounting plate without hole pattern		MPL03011000AA	1
22	Mounting plate without hole pattern		MPL03011400AA	1
22	Mounting plate with hole pattern IVECO		MPL03011021AA	1
22	Mounting plate with hole pattern DAF		MPL03011022AA	1
22	Mounting plate with hole pattern Mercedes-Benz*		MPL03080708AA	1
22	Mounting plate with hole pattern Mercedes-Benz		MPL03011012AA	1
22	Mounting plate with hole pattern MAN		MPL03011023AA	1
22	Mounting plate with hole pattern Scania		MPL03011024AA	1
23	Pedestals BH 140	with 24	SKE013390000	1

\* Actros from MP4

## Repair and retrofit kits



Item	Description	Order No.
01, 02, 03, 04, 05, 06, 16	Repair kit for lock	SKE001640020
18, 19	Repair kit for bearing	SKE001940001**

Item	Description	Order No.
21	Repair kit for plastic top plate liner with screws	SKE001007020
01, 02, 06, 25	LubeTronic 1Point, kit	SKE01415000

\*\* consists of a right (closed) and a left (open) collar, two rubber cushions and four bridge bolts

Repair instructions at [www.jost-world.com](http://www.jost-world.com)