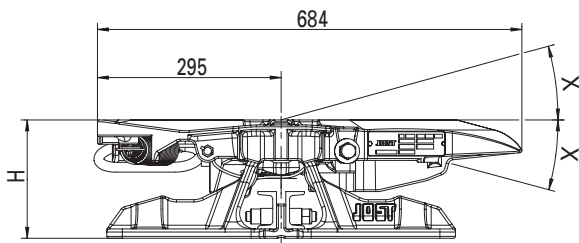
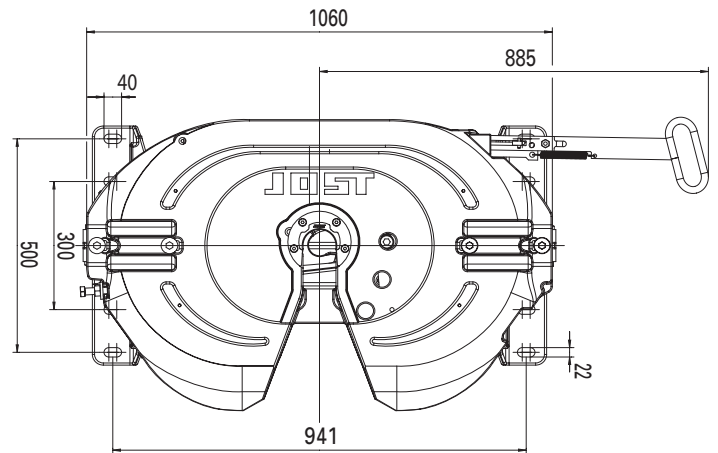


# Fifth wheel couplings · JSK 40 K9 Frame mounting

## Advantages at a glance

- Weight-optimised 2" fifth wheel cast coupling
- **Weight-optimised version for fitting to the frame or subframe**
- Protects the chassis dues to its longitudinal elasticity (lateral movement)
- Low-maintenance version with plastic top plate liner and LubeTronic 1Point for automatic lubrication of lock jaw



available with



## Selection table / Versions available

### Frame mounting

| Order No.          | H (mm) | X   | D value (kN) | Imposed load U (t) | Weight (kg) | Approval (ECE) | WA      | ZL | Sensoric |
|--------------------|--------|-----|--------------|--------------------|-------------|----------------|---------|----|----------|
| JSK 40 K9 20 35 BB | 150    | 13° | 152          | 20                 | 141.0       | E1 55R-01 1245 | Z       | J  | -        |
| JSK 40 K9 20 87 BB | 150    | 13° | 152          | 20                 | 142.0       | E1 55R-01 1245 | W+LT1P  | J  | -        |
| JSK 40 K9 20 BS BB | 150    | 13° | 152          | 20                 | 145.5       | E1 55R-01 1245 | LT5P MB | J  | -        |
| JSK 40 K9 20 M3 BB | 150    | 13° | 152          | 20                 | 141.5       | E1 55R-01 1245 | Z       | J  | MB       |
| JSK 40 K9 20 BC BB | 150    | 13° | 152          | 20                 | 142.0       | E1 55R-01 1245 | W+LT1P  | J  | MB       |
| JSK 40 K9 20 BM BB | 150    | 13° | 152          | 20                 | 146.0       | E1 55R-01 1245 | LT5P MB | J  | MB       |
| JSK 40 K9 40 35 BB | 190    | 16° | 152          | 20                 | 145.0       | E1 55R-01 1245 | Z       | J  | -        |
| JSK 40 K9 40 87 BB | 190    | 16° | 152          | 20                 | 146.0       | E1 55R-01 1245 | W+LT1P  | J  | -        |
| JSK 40 K9 40 BS BB | 190    | 16° | 152          | 20                 | 149.5       | E1 55R-01 1245 | LT5P MB | J  | -        |
| JSK 40 K9 40 M3 BB | 190    | 16° | 152          | 20                 | 145.5       | E1 55R-01 1245 | Z       | J  | MB       |
| JSK 40 K9 40 BC BB | 190    | 16° | 152          | 20                 | 146.0       | E1 55R-01 1245 | W+LT1P  | J  | MB       |
| JSK 40 K9 40 BM BB | 190    | 16° | 152          | 20                 | 150.0       | E1 55R-01 1245 | LT5P MB | J  | MB       |
| JSK 40 K9 57 35 BB | 225    | 25° | 152          | 20                 | 147.5       | E1 55R-01 1245 | Z       | J  | -        |
| JSK 40 K9 57 87 BB | 225    | 25° | 152          | 20                 | 148.5       | E1 55R-01 1245 | W+LT1P  | J  | -        |
| JSK 40 K9 57 BS BB | 225    | 25° | 152          | 20                 | 149.5       | E1 55R-01 1245 | LT5P MB | J  | -        |
| JSK 40 K9 57 M3 BB | 225    | 25° | 152          | 20                 | 148.5       | E1 55R-01 1245 | Z       | J  | MB       |
| JSK 40 K9 57 BC BB | 225    | 25° | 152          | 20                 | 148.0       | E1 55R-01 1245 | W+LT1P  | J  | MB       |
| JSK 40 K9 57 BM BB | 225    | 25° | 152          | 20                 | 150.4       | E1 55R-01 1245 | LT5P MB | J  | MB       |

Explanatory notes for the selection tables please refer to page 15.

\* Actros from MP4

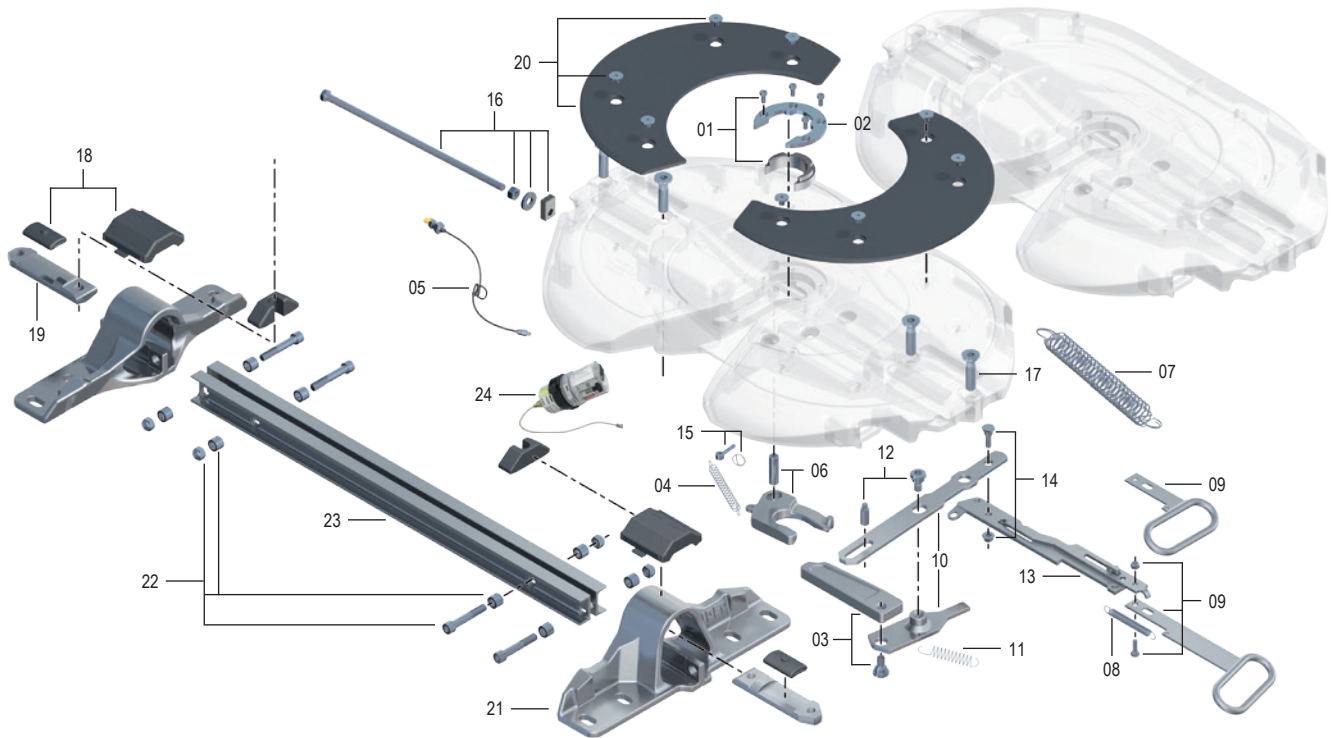
For using sensor coupling versions MB, the truck has to be prepared ex factory for sensors by the manufacturer.

### Technical Specification

Suitable for 2" king pins (class G50) as per ECE R55-01, DIN 74080, ISO 337 and steering wedges as per ECE R55-01, DIN 74085.

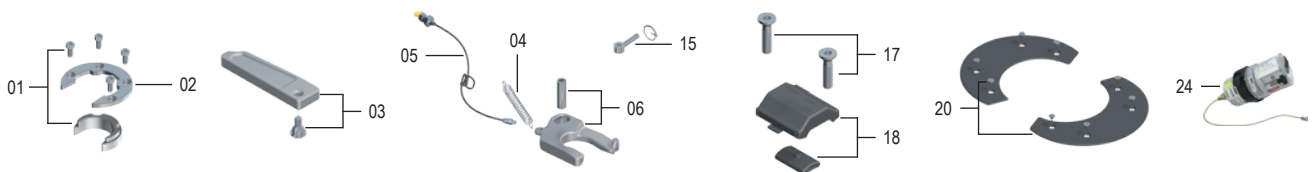
# JSK 40 K9 Frame mounting

## Spare parts



| Item | Description                 | Remark              | Order No.    | per JSK | Item | Description                              | Remark  | Order No.    | per JSK |
|------|-----------------------------|---------------------|--------------|---------|------|--|---------|--------------|---------|
| 01   | Wearing part + mount. bolts |                     | SKE001740020 | 1       | 14   | Lever bolt                               |         | SKE001650020 | 1       |
| 02   | Mounting ring               | with 01             | SK 3105-94   | 1       | 15   | Eye bolt                                 | compl.  | SK 2122-04   | 1       |
| 03   | Locking bolt + mount. bolt  |                     | SKE001009720 | 1       | 16   | Adjusting screw with guide               |         | SKE500740420 | 1       |
| 04   | Tension spring              |                     | SK 847       | 1       | 17   | Bridge bolt                              |         | SKE001011400 | 4       |
| 05   | Lubrication line            | with cable tie      | SK 3108-02   | 1       | 18   | Collar                                   | with 17 | SKE001370020 | 2       |
| 06   | Lock jaw                    | with 04 + 05        | SK 3221-52 Z | 1       | 19   | Bridge                                   | with 17 | SKE001530220 | 2       |
| 07   | Double tension spring       |                     | SK 3105-20   | 1       | 20   | Plastic top plate liner with screws (8x) |         | SKE001007020 | 1       |
| 08   | Locking spring              |                     | SKE001440000 | 1       | 21   | Pedestal BH 150 (K9)                     | with 17 | SKE001500120 | 2       |
| 09   | Short handle                | with 08, L = 220 mm | SKE001390020 | 1       | 21   | Pedestal BH 190 (K9)                     | with 17 | SKE001510120 | 2       |
| 09   | Long handle                 | with 08, L = 390 mm | SKE001390120 | 1       | 21   | Pedestal BH 225 (K9)                     | with 17 | SKE001520120 | 2       |
| 10   | Lever kit                   | with 11 + 12        | SKE001380020 | 1       | 22   | Set of traverse screws                   |         | SKE002770020 | 1       |
| 11   | Lever spring                |                     | SKE001009800 | 1       | 23   | Traverses BH 150 (K9)                    | with 22 | SKE001570120 | 1       |
| 12   | Lever bolts                 |                     | SKE001750020 | 1       | 23   | Traverses BH 190 (K9)                    | with 22 | SKE001590120 | 1       |
| 13   | Lever                       | with 14             | SKE001620020 | 1       | 23   | Traverses BH 225 (K9)                    | with 22 | SKE001590120 | 1       |

## Repair and retrofit kits



| Item                       | Description            | Order No.    |
|----------------------------|------------------------|--------------|
| 01, 02, 03, 04, 05, 06, 15 | Repair kit for lock    | SKE001640020 |
| 17, 18                     | Repair kit for bearing | SKE001370220 |

| Item           | Description  | Order No.    |
|----------------|--|--------------|
| 20             | Repair kit for plastic top plate liner with screws | SKE001007020 |
| 01, 02, 06, 24 | LubeTronic 1Point, kit                             | SKE01415000  |

Spare parts for sensoric please refer to sensor coupling.

Spare parts for LubeTronic 5Point please refer to LubeTronic 5Point.

Repair instructions at [www.jost-world.com](http://www.jost-world.com)